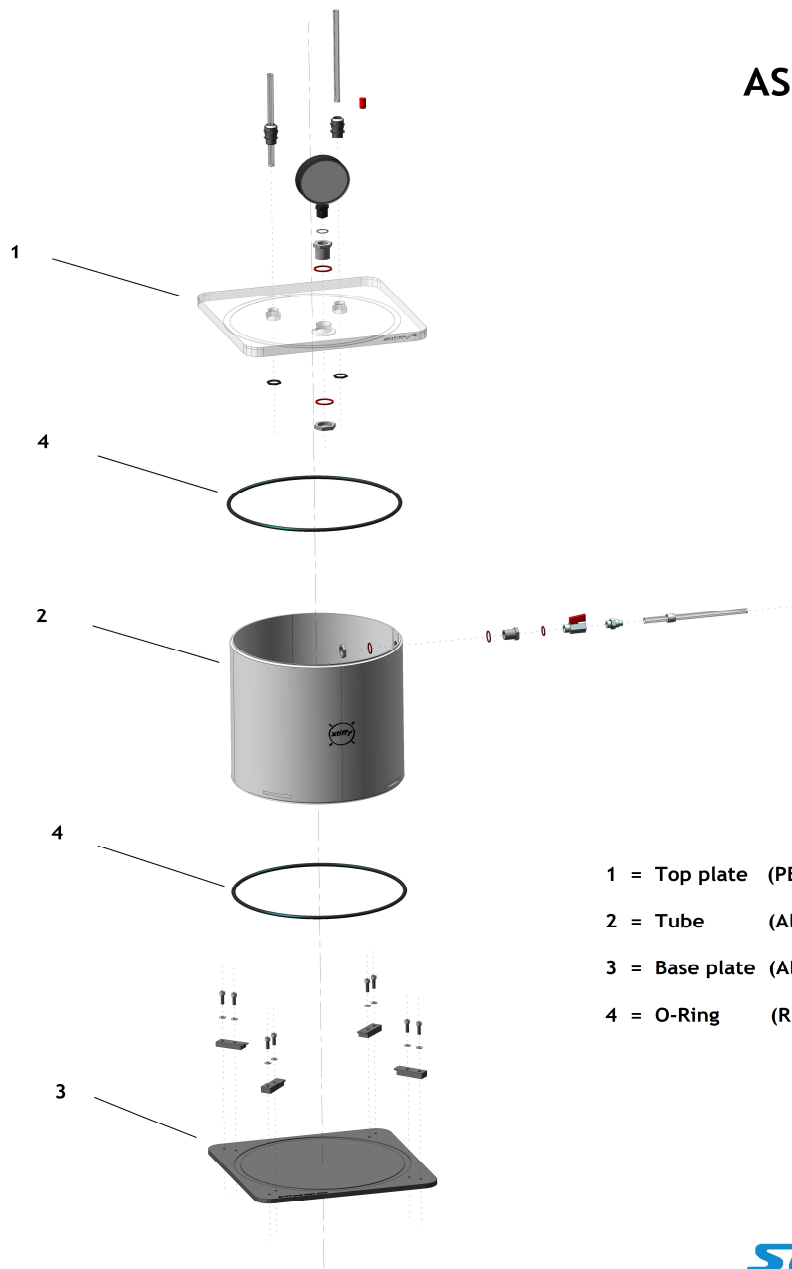
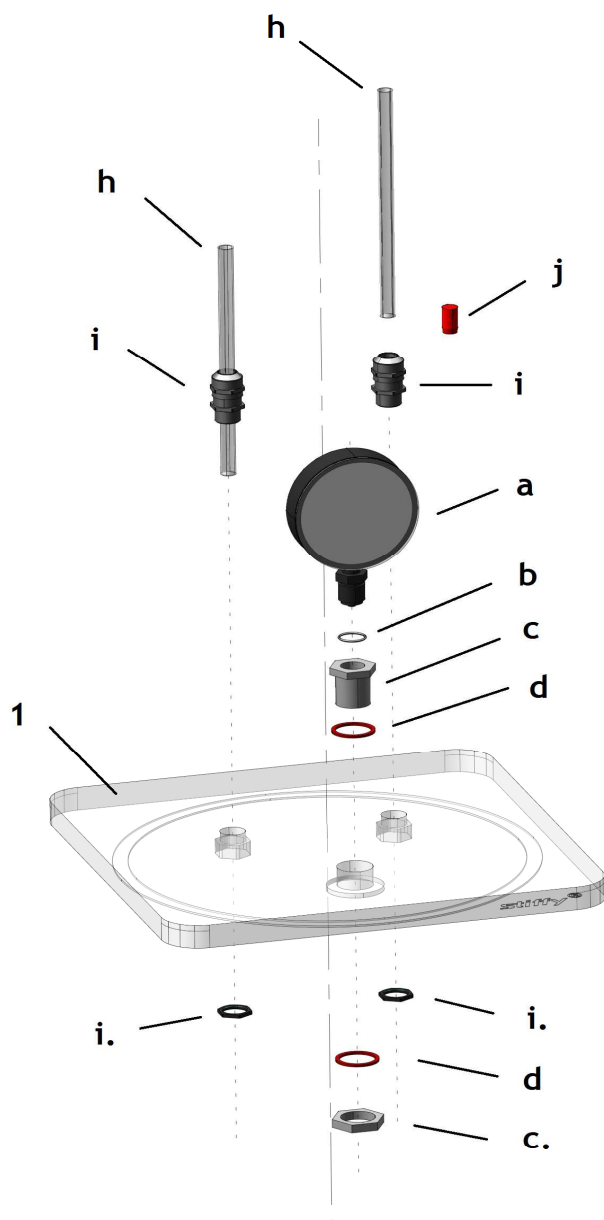


ASSEMBLY



- 1 = Top plate (PETG, transparent)
- 2 = Tube (Aluminium)
- 3 = Base plate (Aluminium)
- 4 = O-Ring (Rubber)

stiffy®



1 = Top plate (PETG, transparent)

a = Vacuum indicator

b = Vacuum indicator sealing (18,77x1,75; rubber)

c = Large bulkhead fitting

c. = and suitable nut

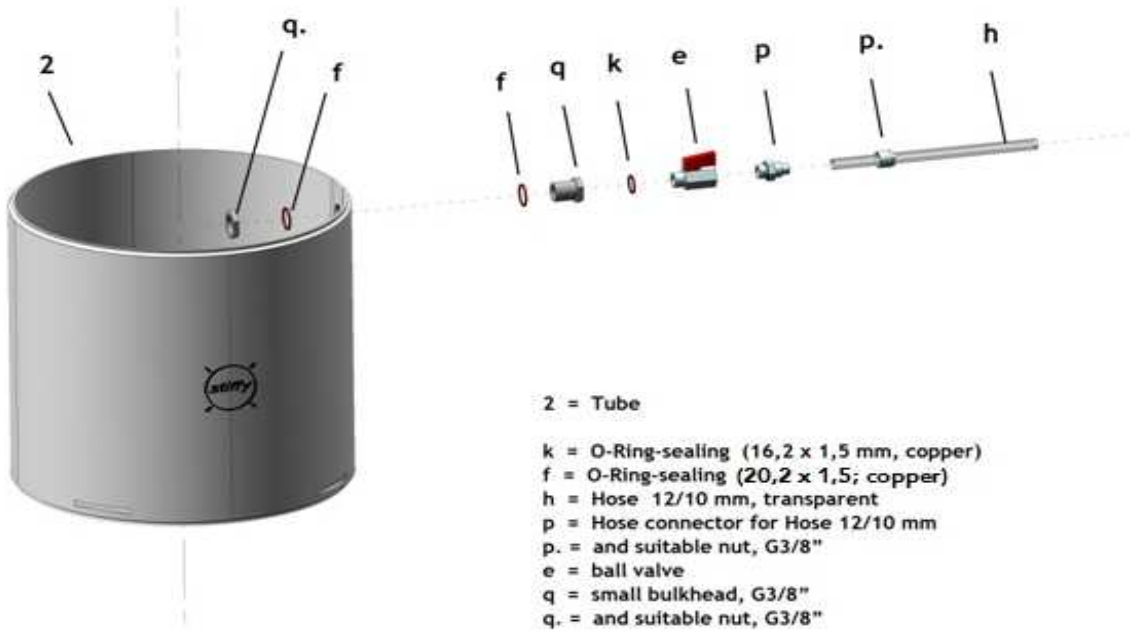
d = O-Ring-sealing (28,3 x 2,0; copper)

h = Hose 12/10 mm, transparent

i = Hose connector (for Hose Ø 10 up to 12 mm)

i. = and suitable nut, 20,5 x 1,5 mm

j = small bulkhead fitting (Nut)



3 = Base plate

m = claw

o = Cylinder head screw

n = washers

